

# LINETHROWER 250



A self-contained line-throwing appliance consisting of a weatherproof plastic casing with end cap, twist-grip trigger assembly, rocket and line. Fully compliant to the latest international SOLAS legislation, the device has a throwing range of between 230m and 250m and meets world-wide approval standards. A solid propellant is used which guarantees a highly accurate flight path even in strong sidewinds.

## ✓ APPLICATION

The Comet Linethrower 250 is designed for ease of operation in the most extreme weather conditions. It can be used in all situations where a line is required to be passed accurately and quickly, these include:-

- All line-throwing operations at sea between vessels, ship-to-shore, shore-to-ship and shore based rescue services.
- Rescue of swimmers in distress.
- Line carrying across obstacles and rough terrain.

## ✓ STORAGE

This compact appliance is ideally stored in a water-resistant locker at ambient temperature allowing easy access in an emergency. The set of 4 appliances normally carried onboard can be dispersed in strategic positions throughout the vessel.

## ✓ OPERATION



1. Remove the front cover and point in the desired flight direction.
2. Pull out safety pin.
3. Aim over the top of target. Be prepared for recoil.
4. Turn grip to left or right to fire.
5. If misfire occurs hold unit in firing position for one minute, then dispose of overboard.

### WARNING:

- Ejects rocket projectile - do not point at people or property
- Do not fire in a confined space
- Keep out of reach of children
- For emergency use at sea
- If damaged or dented do not use
- Do not dismantle
- Keep away from source of heat
- Do not use after expiry date



### DISPOSAL:

- Pyrotechnics must be treated as hazardous items and must be disposed of responsibly in accordance with local regulations. For help and advice, visit our website [www.cometmarine.co.uk](http://www.cometmarine.co.uk)

### Art Nos.

Complete unit 9160400  
Body and line 9160500  
Rocket (Aluminium) 9162700  
Rocket (Steel) 9112700



Safety of life at Sea (SOLAS)



Marine Equipment Directive (MED)

# LINETHROWER 250

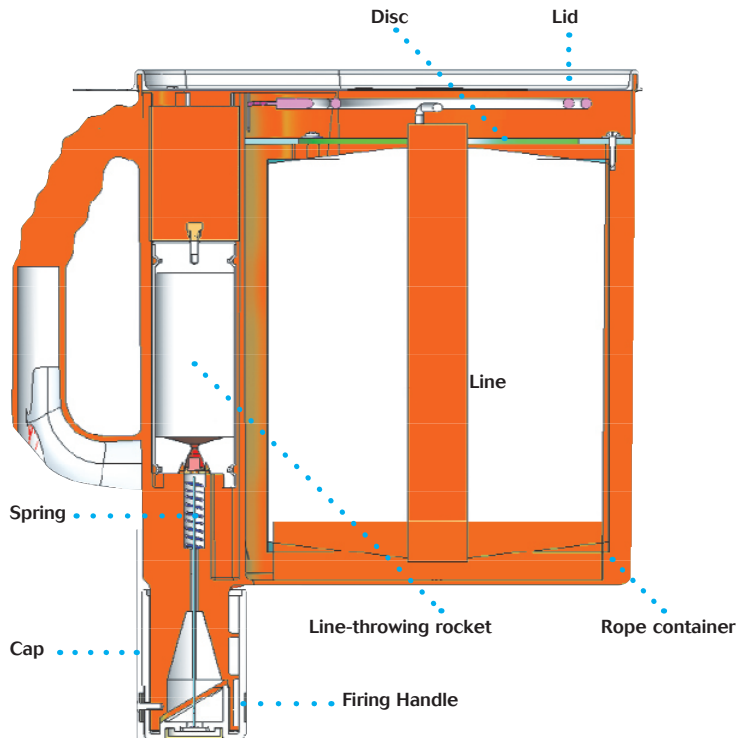
Authorised Dealer

Chemring Marine Limited  
Chemring House  
1500 Parkway  
Whiteley  
Fareham  
Hampshire PO15 7AF  
United Kingdom

Tel: + 44 (0) 1489 884130  
Fax: + 44 (0) 1489 884131  
info@chemringmarine.com



Part of the Chemring Group



techspec

## ✓ SPECIFICATION

Projects a line to a nominal range of 250m in calm conditions.

- Length: 33 cm (13.0")
- Height: 31.3 cm (12.3")
- Diameter: 20.5 cm (8.1")
- Weight: 4.3 Kgs (9.5 lb)
- Rocket Weight 0.467 Kgs ( 1 lb)
- Explosive content: 113 g (3.96 oz)
- Line breaking strain: >2 kn

## ✓ APPROVALS

Conforms to: SOLAS 74/88 as amended, IMO resolutions MSC. 81(70) Part 1, (MED) 96/98/EC, SeeBG MED 424. 002, SAS S010012, USCG - and other major maritime authorities worldwide.

## ✓ PRODUCT LIFE

- Body and line kit: 9 years
- Rocket 3 years
- Spare rockets are available to replace consumed or time expired rockets.

## ✓ PACKING & TRANSPORT INFORMATION

**Body and Line, less rocket** in packing case,

L 37 cm (14.57 ins) x W 27 cm (10.63 ins) x H 26 cm (10.24 ins)

- Gross weight 4.28 Kgs (9.44 lbs)
- Net weight 3.73 Kgs (8.22 lbs)
- Other Information: Non-hazardous

**20 Spare Rockets** in metal tin in a fibreboard box,

L 37 cm (14.57 ins) x W 27 cm (10.63 ins) x H 26 cm (10.24 ins)

- Gross Weight: 12.7 Kgs (28 lbs)
- Net Weight 9.34 Kgs (20.6 lbs)
- Net Explosive Content per box : 2.26 Kgs ( 5 lbs)
- Hazard class 1.4G
- UN 0453
- Proper shipping name: Rockets, Line-Throwing
- Other Information: Cargo Aircraft Only

Comet

MARINE DISTRESS SIGNALS

www.cometmarine.co.uk

Issue:2 03/10